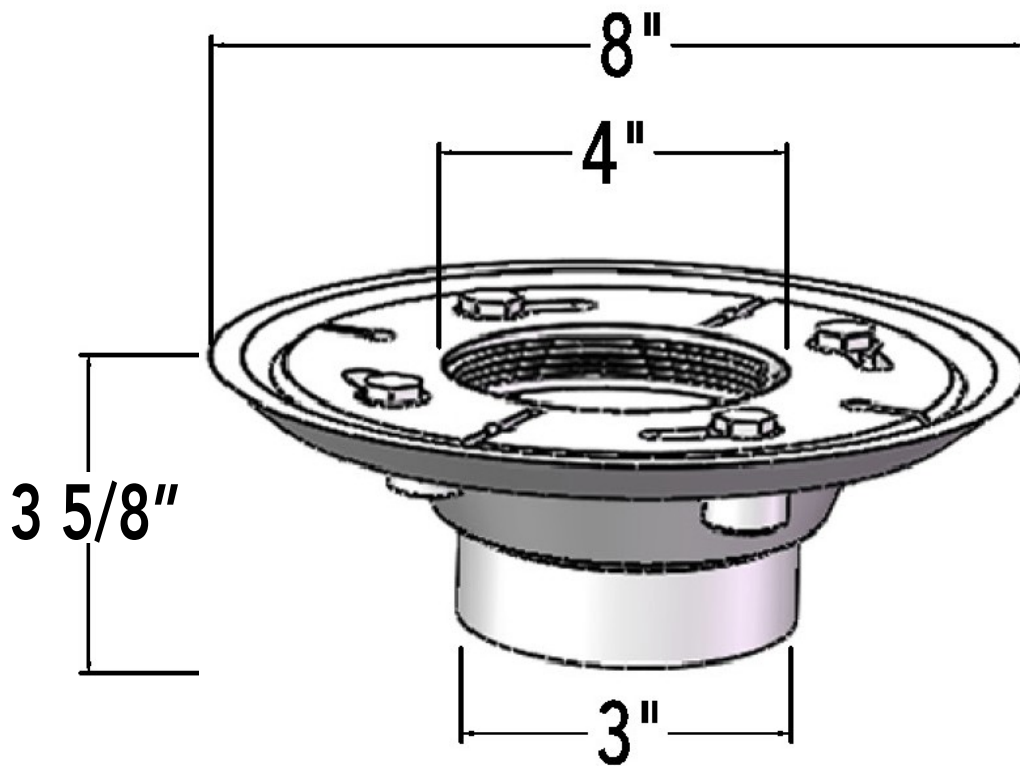


CDP 43 Specifications

CDP 43:

- PVC Clamp Down Drain
- 4" Throat
- 3" Outlet
- 8" overall diameter



Infinity Drain
145 Dixon Avenue
Amityville, NY 11701
Phone: 516.767.6786
Fax: 516.740.3066
www.InfinityDrain.com

Note: Installer must verify all rough-in dimensions prior to installation and consult local and national codes. Conformity and compliance to local and national codes are the responsibility of the installer.